

# Single-Channel: 6N137, HCPL-2601, HCPL-2611 Dual-Channel: HCPL-2630, HCPL-2631 High Speed-10 MBit/s Logic Gate Optocouplers

## Features

- Very high speed-10 MBit/s
- Superior CMR-10 kV/μs
- Double working voltage-480V
- Fan-out of 8 over -40°C to +85°C
- Logic gate output
- Strobable output
- Wired OR-open collector
- U.L. recognized (File # E90700)

## Applications

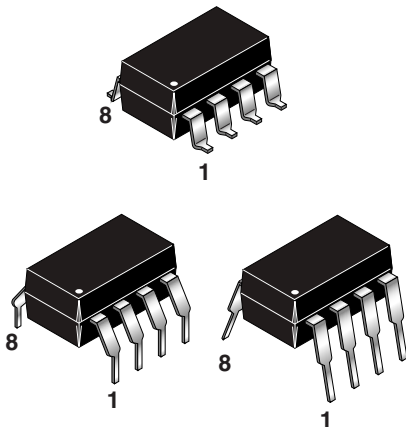
- Ground loop elimination
- LSTTL to TTL, LSTTL or 5-volt CMOS
- Line receiver, data transmission
- Data multiplexing
- Switching power supplies
- Pulse transformer replacement
- Computer-peripheral interface

## Description

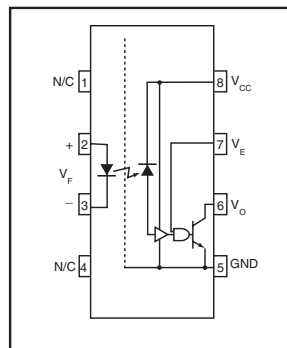
The 6N137, HCPL-2601/2611 single-channel and HCPL-2630/2631 dual-channel optocouplers consist of a 850 nm AlGaAs LED, optically coupled to a very high speed integrated photo-detector logic gate with a strobable output. This output features an open collector, thereby permitting wired OR outputs. The coupled parameters are guaranteed over the temperature range of -40°C to +85°C. A maximum input signal of 5 mA will provide a minimum output sink current of 13mA (fan out of 8).

An internal noise shield provides superior common mode rejection of typically 10kV/μs. The HCPL- 2601 and HCPL- 2631 has a minimum CMR of 5 kV/μs. The HCPL-2611 has a minimum CMR of 10 kV/μs.

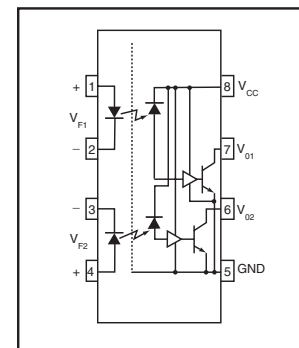
## Package



## Schematic



6N137  
HCPL-2601  
HCPL-2611



HCPL-2630  
HCPL-2631

## Truth Table (Positive Logic)

| Input | Enable | Output |
|-------|--------|--------|
| H     | H      | L      |
| L     | H      | H      |
| H     | L      | H      |
| L     | L      | H      |
| H     | NC     | L      |
| L     | NC     | H      |

A 0.1μF bypass capacitor must be connected between pins 8 and 5. (See note 1)

**Absolute Maximum Ratings** ( $T_A = 25^\circ\text{C}$  unless otherwise specified)

| Parameter  | Symbol                      | Value          | Units            |
|--|-----------------------------|----------------|------------------|
| Storage Temperature  | $T_{STG}$                   | -55 to +125    | $^\circ\text{C}$ |
| Operating Temperature  | $T_{OPR}$                   | -40 to +85     | $^\circ\text{C}$ |
| Lead Solder Temperature  | $T_{SOL}$                   | 260 for 10 sec | $^\circ\text{C}$ |
| <b>EMITTER</b>   |                             |                |                  |
| DC/Average Forward   | Single Channel              | $I_F$          | mA               |
| Input Current  | Dual Channel (Each Channel) |                |                  |
|  |                             | 50             |                  |
|  |                             | 30             |                  |
| Enable Input Voltage<br>Not to exceed $V_{CC}$ by more than 500 mV | Single Channel              | $V_E$          | V                |
| Reverse Input Voltage  | Each Channel                | $V_R$          | V                |
| Power Dissipation  | Single Channel              | $P_I$          | mW               |
|  | Dual Channel (Each Channel) |                |                  |
|  |                             | 100            |                  |
|  |                             | 45             |                  |
| <b>DETECTOR</b>  |                             |                |                  |
| Supply Voltage   | $V_{CC}$<br>(1 minute max)  | 7.0            | V                |
| Output Current   | Single Channel              | $I_O$          | mA               |
|  | Dual Channel (Each Channel) |                |                  |
|  |                             | 50             |                  |
|  |                             | 50             |                  |
| Output Voltage   | Each Channel                | $V_O$          | V                |
| Collector Output   | Single Channel              | $P_O$          | mW               |
| Power Dissipation  | Dual Channel (Each Channel) |                |                  |
|  |                             | 85             |                  |
|  |                             | 60             |                  |

**Recommended Operating Conditions**

| Parameter                  | Symbol   | Min  | Max      | Units            |
|----------------------------|----------|------|----------|------------------|
| Input Current, Low Level   | $I_{FL}$ | 0    | 250      | $\mu\text{A}$    |
| Input Current, High Level  | $I_{FH}$ | *6.3 | 15       | mA               |
| Supply Voltage, Output     | $V_{CC}$ | 4.5  | 5.5      | V                |
| Enable Voltage, Low Level  | $V_{EL}$ | 0    | 0.8      | V                |
| Enable Voltage, High Level | $V_{EH}$ | 2.0  | $V_{CC}$ | V                |
| Low Level Supply Current   | $T_A$    | -40  | +85      | $^\circ\text{C}$ |
| Fan Out (TTL load)         | N        |      | 8        |                  |

\*6.3mA is a guard banded value which allows for at least 20% CTR degradation. Initial input current threshold value is 5.0 mA or less.

## Electrical Characteristics ( $T_A = 0$ to $70^\circ\text{C}$ Unless otherwise specified)

### Individual Component Characteristics

| Parameter                               | Test Conditions                                      | Symbol                  | Min | Typ** | Max  | Unit                 |    |
|---|--|-------------------------|-----|-------|--|----------------------|----|
| <b>EMITTER</b><br>Input Forward Voltage | ( $I_F = 10\text{mA}$ )                              | $V_F$                   |     |       | 1.8  | V                    |    |
|   | $T_A = 25^\circ\text{C}$                             |                         |     | 1.4   | 1.75   |                      |    |
| Input Reverse Breakdown Voltage         | ( $I_R = 10\mu\text{A}$ )                            | $B_{VR}$                | 5.0 |       |  | V                    |    |
| Input Capacitance                       | ( $V_F = 0$ , $f = 1\text{MHz}$ )                    | $C_{IN}$                |     | 60    |  | pF                   |    |
| Input Diode Temperature Coefficient     | ( $I_F = 10\text{mA}$ )                              | $\Delta V_F/\Delta T_A$ |     | -1.4  |  | mV/ $^\circ\text{C}$ |    |
| <b>DETECTOR</b>                         |  |                         |     |       |  |                      |    |
| High Level Supply Current               | Single Channel                                       | $I_{CCH}$               |     |       | 7  | 10                   | mA |
|   | Dual Channel   |                         |     |       | $(V_{CC} = 5.5\text{V}, I_F = 0\text{mA})$<br>$(V_E = 0.5\text{V})$  |                      |    |
| Low Level Supply Current                | Single Channel                                       | $I_{CCL}$               |     |       | 9  | 13                   | mA |
|   | Dual Channel   |                         |     |       | $(V_{CC} = 5.5\text{V}, I_F = 10\text{mA})$<br>$(V_E = 0.5\text{V})$ |                      |    |
| Low Level Enable Current                | $(V_{CC} = 5.5\text{V}, V_E = 0.5\text{V})$          | $I_{EL}$                |     | -0.8  | -1.6   | mA                   |    |
| High Level Enable Current               | $(V_{CC} = 5.5\text{V}, V_E = 2.0\text{V})$          | $I_{EH}$                |     | -0.6  | -1.6   | mA                   |    |
| High Level Enable Voltage               | $(V_{CC} = 5.5\text{V}, I_F = 10\text{mA})$          | $V_{EH}$                | 2.0 |       |  | V                    |    |
| Low Level Enable Voltage                | $(V_{CC} = 5.5\text{V}, I_F = 10\text{mA})$ (Note 3) | $V_{EL}$                |     |       | 0.8  | V                    |    |

### Switching Characteristics ( $T_A = -40^\circ\text{C}$ to $+85^\circ\text{C}$ , $V_{CC} = 5\text{V}$ , $I_F = 7.5\text{mA}$ Unless otherwise specified)

| AC Characteristics                                    | Test Conditions  | Symbol                        | Min | Typ** | Max | Unit             |   |        |        |        |
|---|--|-------------------------------|-----|-------|-----|------------------|---|--------|--------|--------|
| Propagation Delay Time to Output High Level           | (Note 4) ( $T_A = 25^\circ\text{C}$ )  | $T_{PLH}$                     | 20  | 45    | 75  | ns               |   |        |        |        |
|   | $(R_L = 350\Omega, C_L = 15\text{pF})$ (Fig. 12)   |                               |     |       | 100 |                  |   |        |        |        |
| Propagation Delay Time to Output Low Level            | (Note 5) ( $T_A = 25^\circ\text{C}$ )  | $T_{PHL}$                     | 25  | 45    | 75  | ns               |   |        |        |        |
|   | $(R_L = 350\Omega, C_L = 15\text{pF})$ (Fig. 12)   |                               |     |       | 100 |                  |   |        |        |        |
| Pulse Width Distortion                                | $(R_L = 350\Omega, C_L = 15\text{pF})$ (Fig. 12)   | $\frac{t_{PHL}^-}{t_{PLH}^+}$ |     | 3     | 35  | ns               |   |        |        |        |
| Output Rise Time (10-90%)                             | $(R_L = 350\Omega, C_L = 15\text{pF})$<br>(Note 6) (Fig. 12)   | $t_r$                         |     | 50    |     | ns               |   |        |        |        |
| Output Rise Time (90-10%)                             | $(R_L = 350\Omega, C_L = 15\text{pF})$<br>(Note 7) (Fig. 12)   | $t_f$                         |     | 12    |     | ns               |   |        |        |        |
| Enable Propagation Delay Time to Output High Level    | $(I_F = 7.5\text{mA}, V_{EH} = 3.5\text{V})$<br>$(R_L = 350\Omega, C_L = 15\text{pF})$ (Note 8) (Fig. 13)            | $t_{ELH}$                     |     | 20    |     | ns               |   |        |        |        |
| Enable Propagation Delay Time to Output Low Level     | $(I_F = 7.5\text{mA}, V_{EH} = 3.5\text{V})$<br>$(R_L = 350\Omega, C_L = 15\text{pF})$ (Note 9) (Fig. 13)            | $t_{EHL}$                     |     | 20    |     | ns               |   |        |        |        |
| Common Mode Transient Immunity (at Output High Level) | $(T_A = 25^\circ\text{C})  V_{CM}  = 50\text{V}$ , (Peak)<br>$(I_F = 0\text{mA}, V_{OH}(\text{Min.}) = 2.0\text{V})$ | $ICM_{HI}$                    |     |       |     | V/ $\mu\text{s}$ |   |        |        |        |
|   | 6N137, HCPL-2630<br>HCPL-2601, HCPL-2631   |                               |     |       |     |                  | $(R_L = 350\Omega)$ (Note 10)<br>(Fig. 14)                                      | 5000   | 10,000 | 10,000 |
|   | HCPL-2611  |                               |     |       |     |                  | $ V_{CM}  = 400\text{V}$  | 10,000 | 15,000 |        |
| Common Mode Transient Immunity (at Output Low Level)  | $(R_L = 350\Omega) (I_F = 7.5\text{mA}, V_{OL}(\text{Max.}) = 0.8\text{V})$  | $ICM_{LI}$                    |     |       |     | V/ $\mu\text{s}$ |   |        |        |        |
|   | 6N137, HCPL-2630<br>HCPL-2601, HCPL-2631   |                               |     |       |     |                  | $ V_{CM}  = 50\text{V}$ (Peak)<br>$(T_A = 25^\circ\text{C})$ (Note 11)(Fig. 14) | 5000   | 10,000 |        |
|   | HCPL-2611( $T_A = 25^\circ\text{C}$ )  |                               |     |       |     |                  | $ V_{CM}  = 400\text{V}$  | 10,000 | 15,000 |        |

**Transfer Characteristics** ( $T_A = -40$  to  $+85^\circ\text{C}$  Unless otherwise specified)

| DC Characteristics        | Test Conditions  | Symbol   | Min | Typ** | Max | Unit          |
|---------------------------|--|----------|-----|-------|-----|---------------|
| High Level Output Current | ( $V_{CC} = 5.5\text{ V}$ , $V_O = 5.5\text{ V}$ )<br>( $I_F = 250\ \mu\text{A}$ , $V_E = 2.0\text{ V}$ ) (Note 2) | $I_{OH}$ |     |       | 100 | $\mu\text{A}$ |
| Low Level Output Current  | ( $V_{CC} = 5.5\text{ V}$ , $I_F = 5\text{ mA}$ )<br>( $V_E = 2.0\text{ V}$ , $I_{CL} = 13\text{ mA}$ ) (Note 2)   | $V_{OL}$ |     | .35   | 0.6 | V             |
| Input Threshold Current   | ( $V_{CC} = 5.5\text{ V}$ , $V_O = 0.6\text{ V}$ ,<br>$V_E = 2.0\text{ V}$ , $I_{OL} = 13\text{ mA}$ )             | $I_{FT}$ |     | 3     | 5   | mA            |

**Isolation Characteristics** ( $T_A = -40^\circ\text{C}$  to  $+85^\circ\text{C}$  Unless otherwise specified.)

| Characteristics                               | Test Conditions  | Symbol    | Min  | Typ**     | Max  | Unit          |
|---|--|-----------|------|-----------|------|---------------|
| Input-Output<br>Insulation Leakage<br>Current | (Relative humidity = 45%)<br>( $T_A = 25^\circ\text{C}$ , $t = 5\text{ s}$ )<br>( $V_{I-O} = 3000\text{ VDC}$ )<br>(Note 12) | $I_{I-O}$ |      |           | 1.0* | $\mu\text{A}$ |
| Withstand Insulation Test Voltage             | (RH < 50%, $T_A = 25^\circ\text{C}$ )<br>( $I_{I-O} \leq 2\ \mu\text{A}$ )<br>(Note 12) ( $t = 1\text{ min.}$ )              | $V_{ISO}$ | 2500 |           |      | $V_{RMS}$     |
| Resistance (Input to Output)                  | ( $V_{I-O} = 500\text{ V}$ ) (Note 12)   | $R_{I-O}$ |      | $10^{12}$ |      | $\Omega$      |
| Capacitance (Input to Output)                 | ( $f = 1\text{ MHz}$ ) (Note 12)   | $C_{I-O}$ |      | 0.6       |      | pF            |

\*\* All Typical at  $V_{CC} = 5\text{V}$ ,  $T_A = 25^\circ\text{C}$

**NOTES**

- The  $V_{CC}$  supply to each optoisolator must be bypassed by a  $0.1\ \mu\text{F}$  capacitor or larger. This can be either a ceramic or solid tantalum capacitor with good high frequency characteristic and should be connected as close as possible to the package  $V_{CC}$  and GND pins of each device.
- Each channel.
- Enable Input - No pull up resistor required as the device has an internal pull up resistor.
- $t_{PLH}$  -Propagation delay is measured from the 3.75 mA level on the HIGH to LOW transition of the input current pulse to the 1.5 V level on the LOW to HIGH transition of the output voltage pulse.
- $t_{PHL}$  -Propagation delay is measured from the 3.75 mA level on the LOW to HIGH transition of the input current pulse to the 1.5 V level on the HIGH to LOW transition of the output voltage pulse.
- $t_r$  -Rise time is measured from the 90% to the 10% levels on the LOW to HIGH transition of the output pulse.
- $t_f$  -Fall time is measured from the 10% to the 90% levels on the HIGH to LOW transition of the output pulse.
- $t_{ELH}$  -Enable input propagation delay is measured from the 1.5 V level on the HIGH to LOW transition of the input voltage pulse to the 1.5 V level on the LOW to HIGH transition of the output voltage pulse.
- $t_{EHL}$  -Enable input propagation delay is measured from the 1.5 V level on the LOW to HIGH transition of the input voltage pulse to the 1.5 V level on the HIGH to LOW transition of the output voltage pulse.
- $CM_H$  -The maximum tolerable rate of rise of the common mode voltage to ensure the output will remain in the high state (i.e.,  $V_{OUT} > 2.0\text{ V}$ ). Measured in volts per microsecond ( $\text{V}/\mu\text{s}$ ).
- $CM_L$  -The maximum tolerable rate of rise of the common mode voltage to ensure the output will remain in the low output state (i.e.,  $V_{OUT} < 0.8\text{ V}$ ). Measured in volts per microsecond ( $\text{V}/\mu\text{s}$ ).
- Device considered a two-terminal device: Pins 1,2,3 and 4 shorted together, and Pins 5,6,7 and 8 shorted together.

Fig.1 Low Level Output Voltage vs. Ambient Temperature

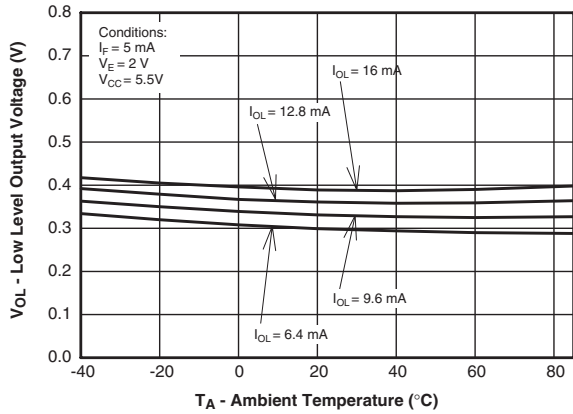


Fig. 2 Input Diode Forward Voltage vs. Forward Current

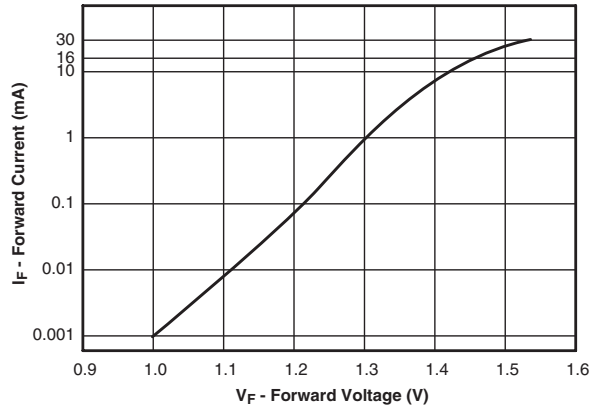


Fig.3 Switching Time vs. Forward Current

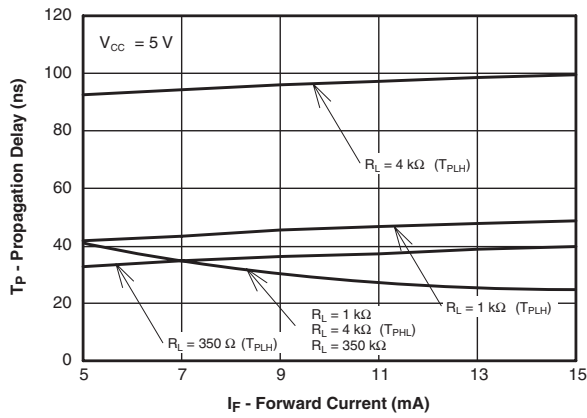


Fig. 4 Low Level Output Current vs. Ambient Temperature

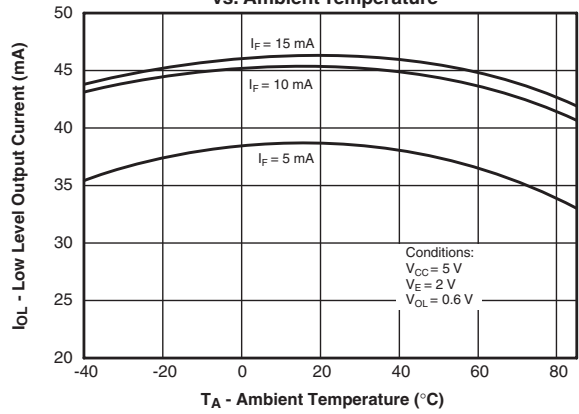


Fig. 5 Input Threshold Current vs. Ambient Temperature

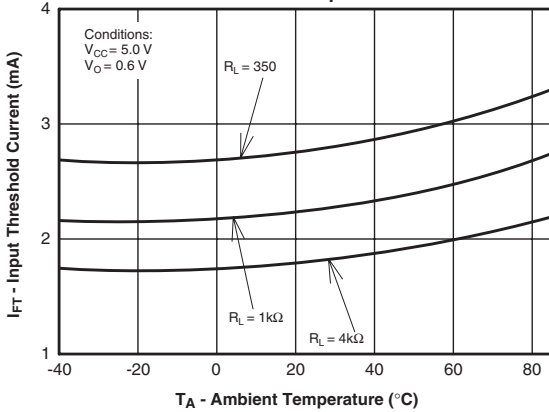
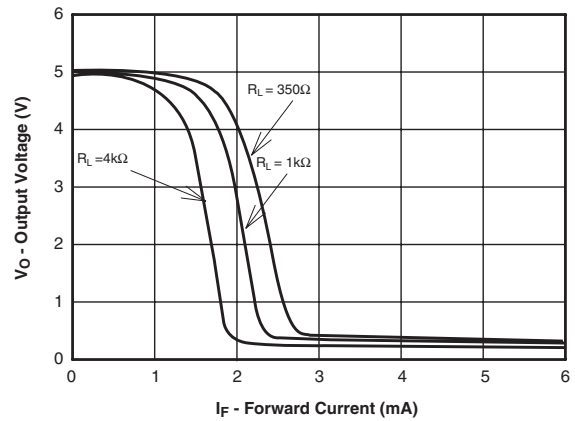
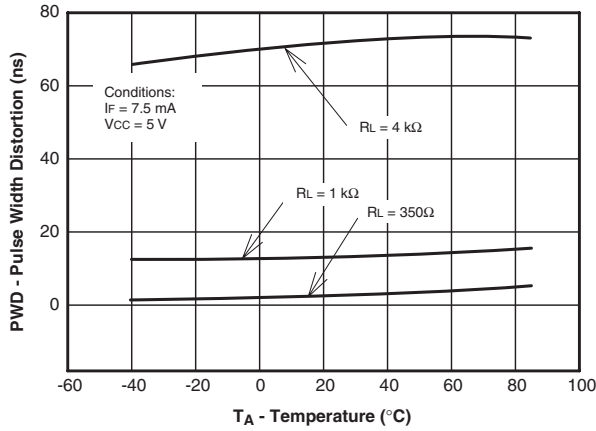


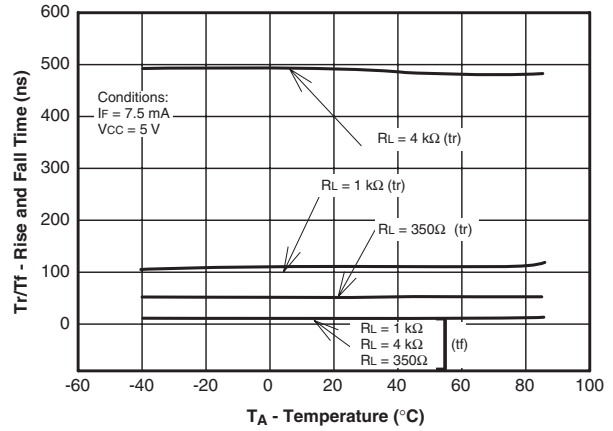
Fig. 6 Output Voltage vs. Input Forward Current



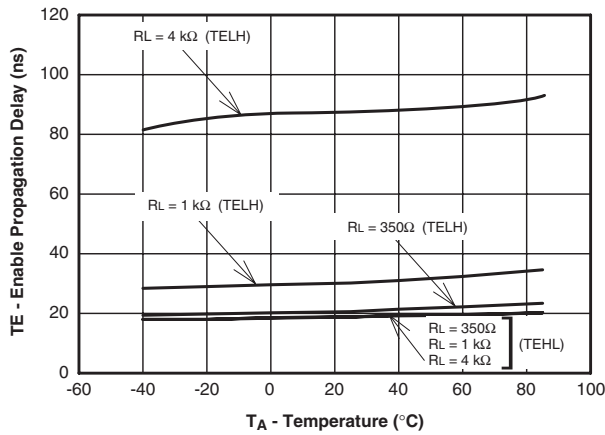
**Fig. 7 Pulse Width Distortion vs. Temperature**



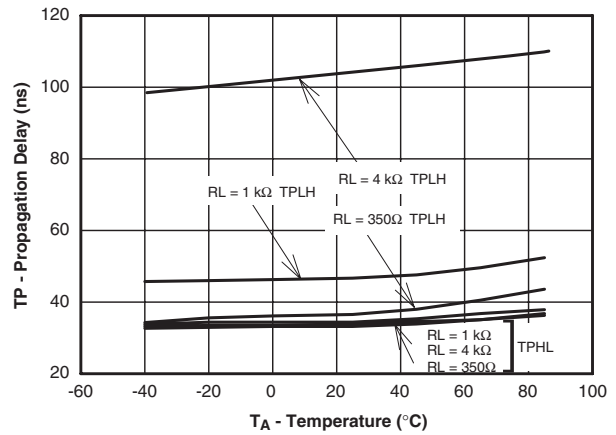
**Fig. 8 Rise and Fall Time vs. Temperature**



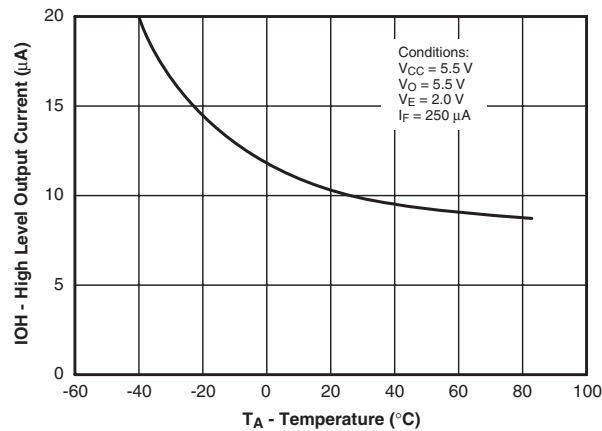
**Fig. 9 Enable Propagation Delay vs. Temperature**



**Fig. 10 Switching Time vs. Temperature**



**Fig. 11 High Level Output Current vs. Temperature**



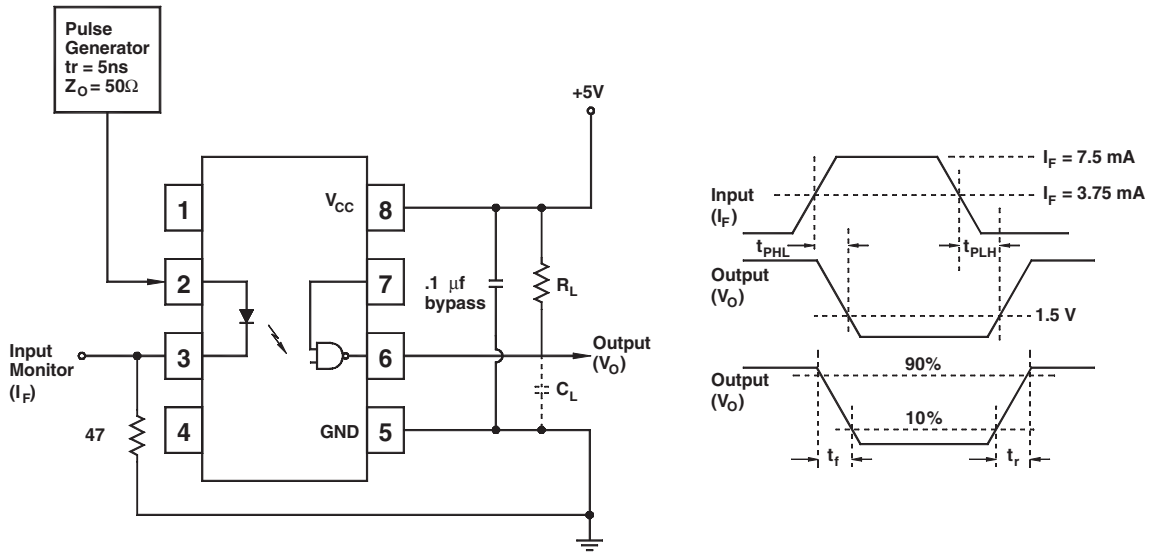


Fig. 12 Test Circuit and Waveforms for  $t_{PLH}$ ,  $t_{PHL}$ ,  $t_r$  and  $t_f$ .

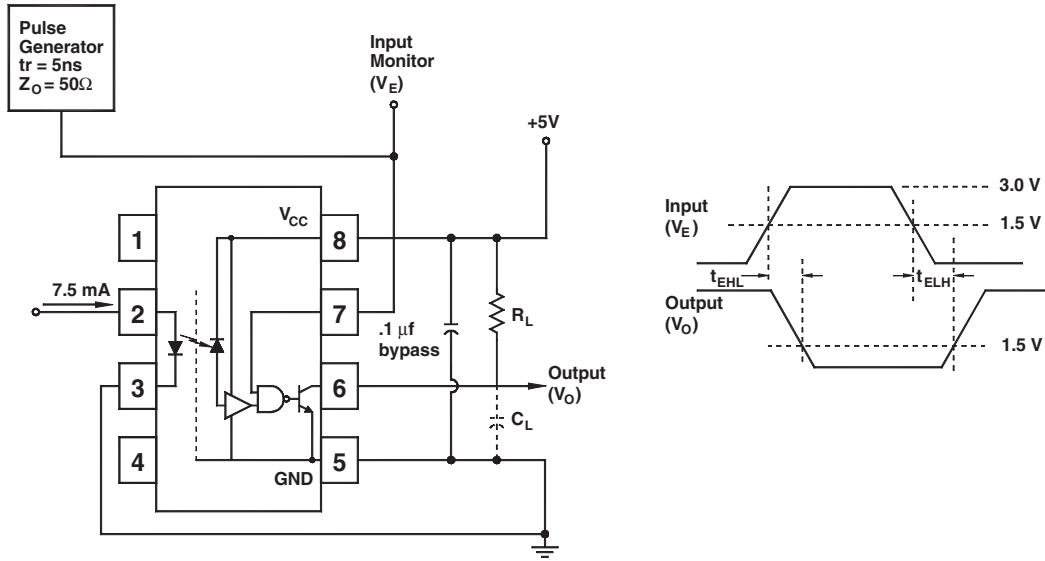


Fig. 13 Test Circuit  $t_{EHL}$  and  $t_{ELH}$ .

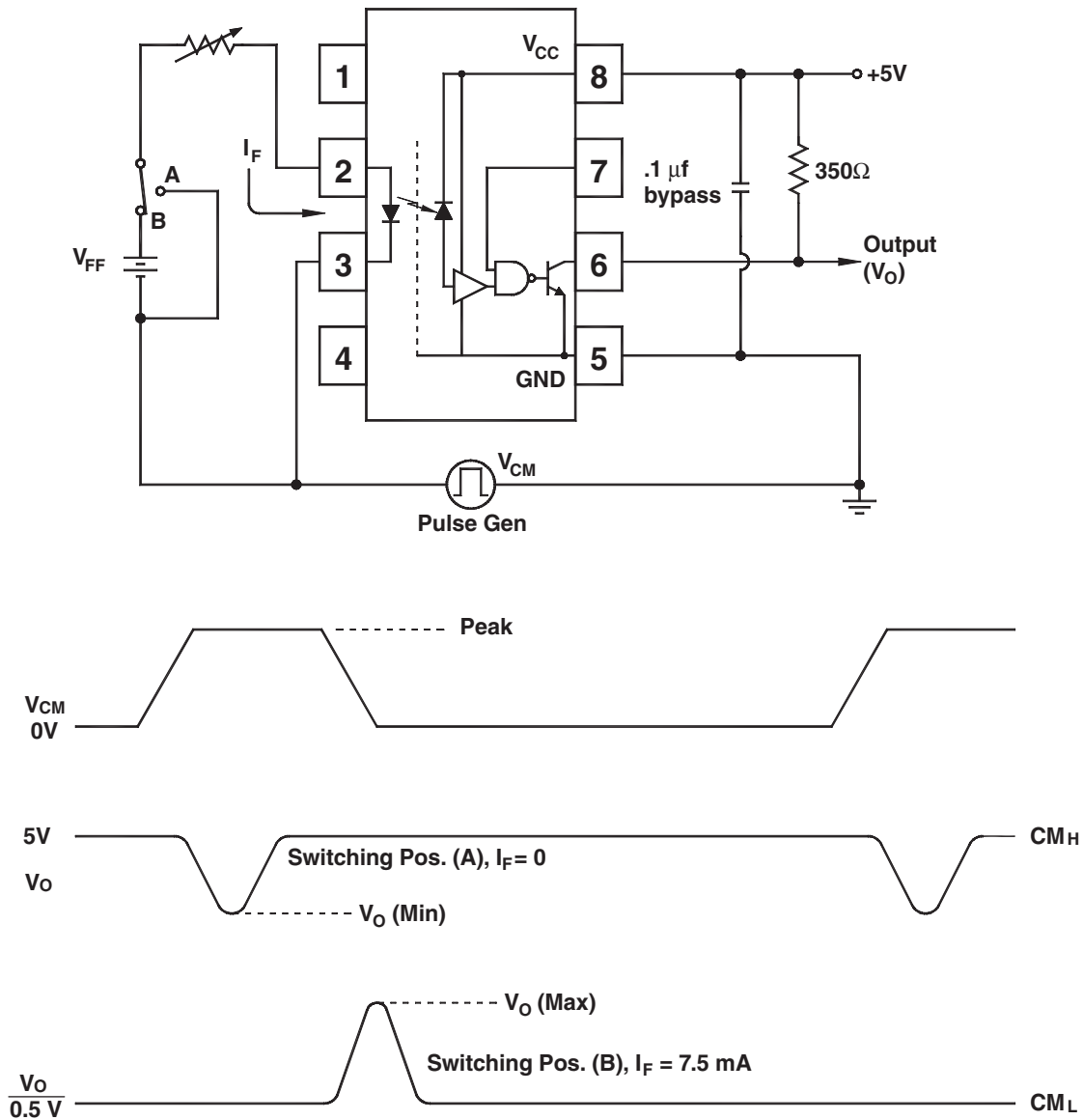
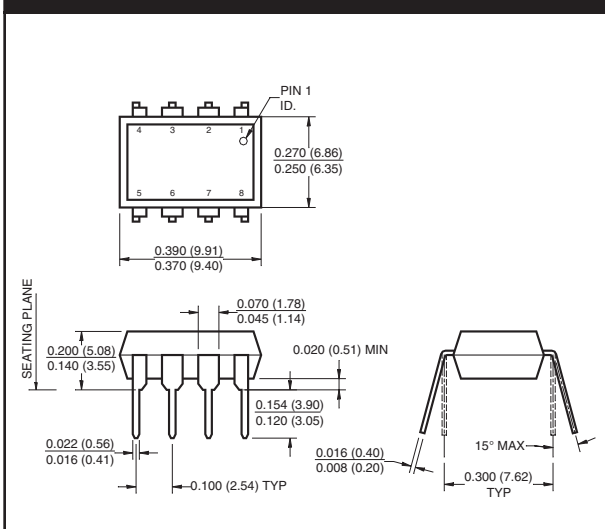


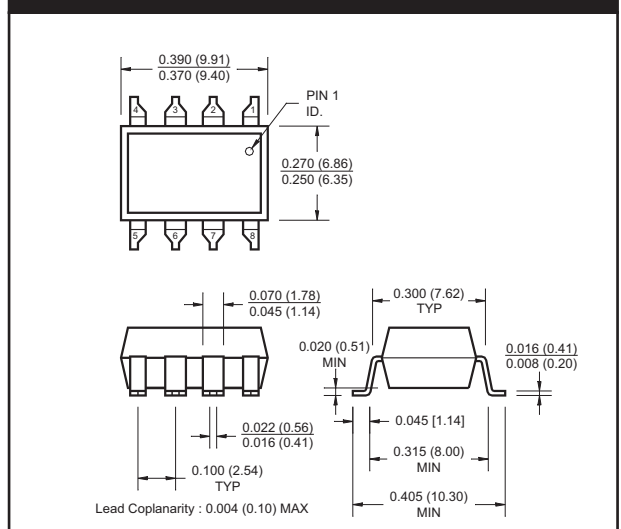
Fig. 14 Test Circuit Common Mode Transient Immunity



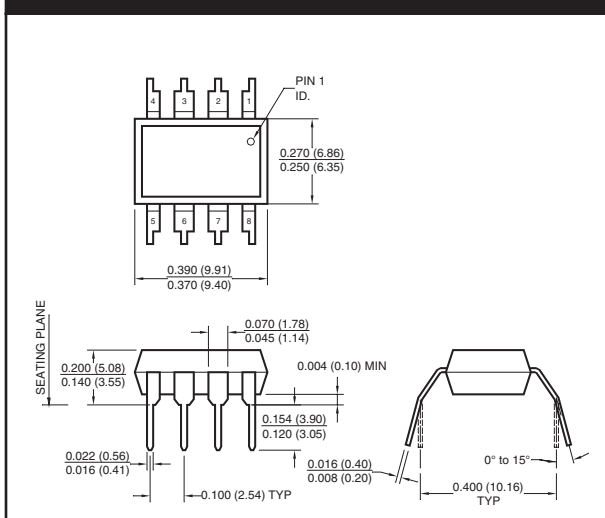
### Package Dimensions (Through Hole)



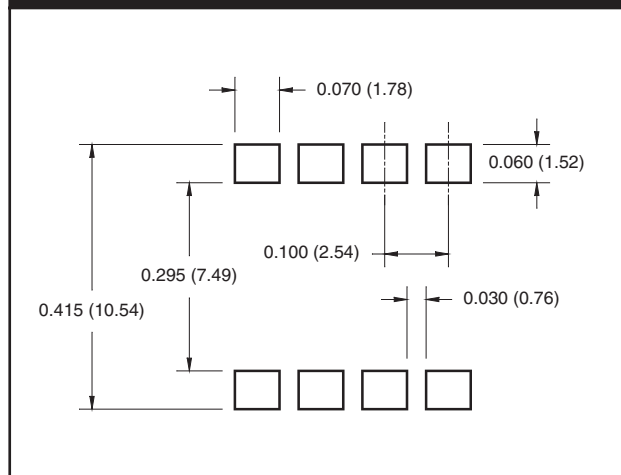
### Package Dimensions (Surface Mount)



### Package Dimensions (0.4" Lead Spacing)



### Recommended Pad Layout for Surface Mount Leadform



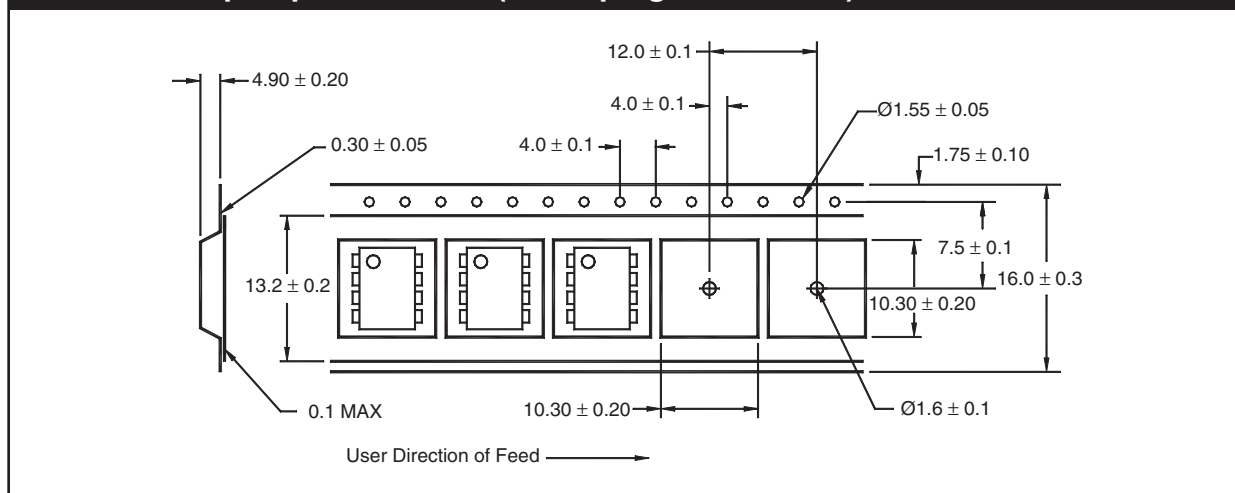
**NOTE**

All dimensions are in inches (millimeters)

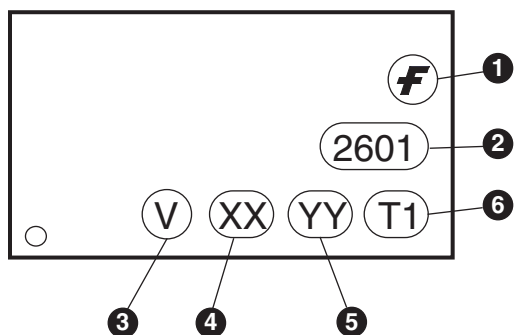
## Ordering Information

| Option | Example Part Number | Description                           |
|--------|---------------------|---------------------------------------|
| S      | 6N137S              | Surface Mount Lead Bend               |
| SD     | 6N137SD             | Surface Mount; Tape and reel          |
| W      | 6N137W              | 0.4" Lead Spacing                     |
| V      | 6N137V              | VDE0884                               |
| WV     | 6N137WV             | VDE0884; 0.4" lead spacing            |
| SV     | 6N137SV             | VDE0884; surface mount                |
| SDV    | 6N137SDV            | VDE0884; surface mount; tape and reel |

### QT Carrier Tape Specifications ("D" Taping Orientation)

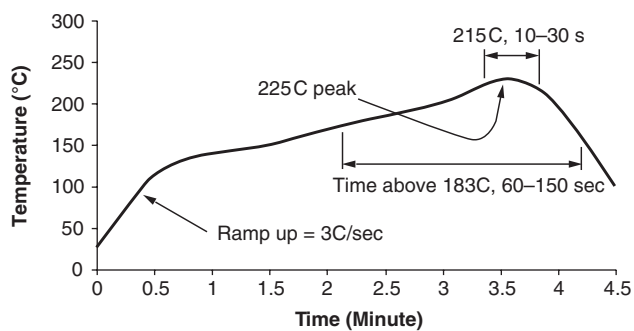


## Marking Information



| Definitions |  |
|-------------|--|
| 1           | Fairchild logo   |
| 2           | Device number  |
| 3           | VDE mark (Note: Only appears on parts ordered with VDE option – See order entry table) |
| 4           | Two digit year code, e.g., '03'  |
| 5           | Two digit work week ranging from '01' to '53'  |
| 6           | Assembly package code  |

## Reflow Profile



- Peak reflow temperature: 225C (package surface temperature)
- Time of temperature higher than 183C for 60–150 seconds
- One time soldering reflow is recommended

## TRADEMARKS

The following are registered and unregistered trademarks Fairchild Semiconductor owns or is authorized to use and is not intended to be an exhaustive list of all such trademarks.

|  |                                 |                                 |                              |                       |
|--|---------------------------------|---------------------------------|------------------------------|-----------------------|
| ACE <sup>™</sup>                                 | FACT Quiet Series <sup>™</sup>  | OCX <sup>™</sup>                | SILENT SWITCHER <sup>®</sup> | UniFET <sup>™</sup>   |
| ActiveArray <sup>™</sup>                         | GlobalOptoisolator <sup>™</sup> | OCXPro <sup>™</sup>             | SMART START <sup>™</sup>     | UltraFET <sup>®</sup> |
| Bottomless <sup>™</sup>                          | GTO <sup>™</sup>                | OPTOLOGIC <sup>®</sup>          | SPM <sup>™</sup>             | VCX <sup>™</sup>      |
| Build it Now <sup>™</sup>                        | HiSeC <sup>™</sup>              | OPTOPLANAR <sup>™</sup>         | Stealth <sup>™</sup>         | Wire <sup>™</sup>     |
| CoolFET <sup>™</sup>                             | I <sup>2</sup> C <sup>™</sup>   | PACMAN <sup>™</sup>             | SuperFET <sup>™</sup>        |                       |
| CROSSVOLT <sup>™</sup>                           | i-Lo <sup>™</sup>               | POP <sup>™</sup>                | SuperSOT <sup>™</sup> -3     |                       |
| DOME <sup>™</sup>                                | ImpliedDisconnect <sup>™</sup>  | Power247 <sup>™</sup>           | SuperSOT <sup>™</sup> -6     |                       |
| EcoSPARK <sup>™</sup>                            | IntelliMAX <sup>™</sup>         | PowerEdge <sup>™</sup>          | SuperSOT <sup>™</sup> -8     |                       |
| E <sup>2</sup> CMOS <sup>™</sup>                 | ISOPLANAR <sup>™</sup>          | PowerSaver <sup>™</sup>         | SyncFET <sup>™</sup>         |                       |
| EnSigna <sup>™</sup>                             | LittleFET <sup>™</sup>          | PowerTrench <sup>®</sup>        | TCM <sup>™</sup>             |                       |
| FACT <sup>™</sup>                                | MICROCOUPLER <sup>™</sup>       | QFET <sup>®</sup>               | TinyBoost <sup>™</sup>       |                       |
| FAST <sup>®</sup>                                | MicroFET <sup>™</sup>           | QS <sup>™</sup>                 | TinyBuck <sup>™</sup>        |                       |
| FASTr <sup>™</sup>                               | MicroPak <sup>™</sup>           | QT Optoelectronics <sup>™</sup> | TinyPWM <sup>™</sup>         |                       |
| FPS <sup>™</sup>                                 | MICROWIRE <sup>™</sup>          | Quiet Series <sup>™</sup>       | TinyPower <sup>™</sup>       |                       |
| FRFET <sup>™</sup>                               | MSX <sup>™</sup>                | RapidConfigure <sup>™</sup>     | TinyLogic <sup>®</sup>       |                       |
|  | MSXPro <sup>™</sup>             | RapidConnect <sup>™</sup>       | TINYOPTO <sup>™</sup>        |                       |
| Across the board. Around the world. <sup>™</sup> |                                 | μSerDes <sup>™</sup>            | TruTranslation <sup>™</sup>  |                       |
| The Power Franchise <sup>®</sup>                 |                                 | ScalarPump <sup>™</sup>         | UHC <sup>™</sup>             |                       |
| Programmable Active Droop <sup>™</sup>           |                                 |                                 |                              |                       |

## DISCLAIMER

FAIRCHILD SEMICONDUCTOR RESERVES THE RIGHT TO MAKE CHANGES WITHOUT FURTHER NOTICE TO ANY PRODUCTS HEREIN TO IMPROVE RELIABILITY, FUNCTION, OR DESIGN. FAIRCHILD DOES NOT ASSUME ANY LIABILITY ARISING OUT OF THE APPLICATION OR USE OF ANY PRODUCT OR CIRCUIT DESCRIBED HEREIN; NEITHER DOES IT CONVEY ANY LICENSE UNDER ITS PATENT RIGHTS, NOR THE RIGHTS OF OTHERS. THESE SPECIFICATIONS DO NOT EXPAND THE TERMS OF FAIRCHILD'S WORLDWIDE TERMS AND CONDITIONS, SPECIFICALLY THE WARRANTY THEREIN, WHICH COVERS THESE PRODUCTS.

## LIFE SUPPORT POLICY

FAIRCHILD'S PRODUCTS ARE NOT AUTHORIZED FOR USE AS CRITICAL COMPONENTS IN LIFE SUPPORT DEVICES OR SYSTEMS WITHOUT THE EXPRESS WRITTEN APPROVAL OF FAIRCHILD SEMICONDUCTOR CORPORATION.

As used herein:

- Life support devices or systems are devices or systems which, (a) are intended for surgical implant into the body, or (b) support or sustain life, or (c) whose failure to perform when properly used in accordance with instructions for use provided in the labeling, can be reasonably expected to result in significant injury to the user.
- A critical component is any component of a life support device or system whose failure to perform can be reasonably expected to cause the failure of the life support device or system, or to affect its safety or effectiveness.

## PRODUCT STATUS DEFINITIONS

### Definition of Terms

| Datasheet Identification | Product Status         | Definition   |
|--------------------------|------------------------|--|
| Advance Information      | Formative or In Design | This datasheet contains the design specifications for product development. Specifications may change in any manner without notice.   |
| Preliminary              | First Production       | This datasheet contains preliminary data, and supplementary data will be published at a later date. Fairchild Semiconductor reserves the right to make changes at any time without notice to improve design. |
| No Identification Needed | Full Production        | This datasheet contains final specifications. Fairchild Semiconductor reserves the right to make changes at any time without notice to improve design.   |
| Obsolete                 | Not In Production      | This datasheet contains specifications on a product that has been discontinued by Fairchild semiconductor. The datasheet is printed for reference information only.  |

Rev. I20